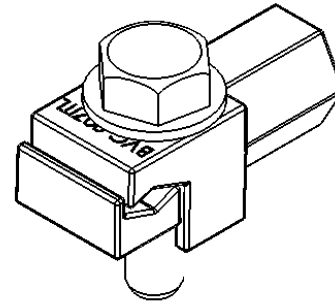
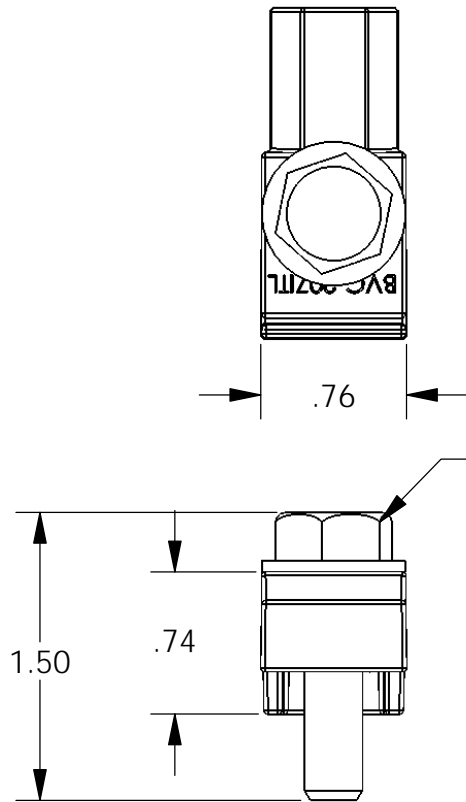
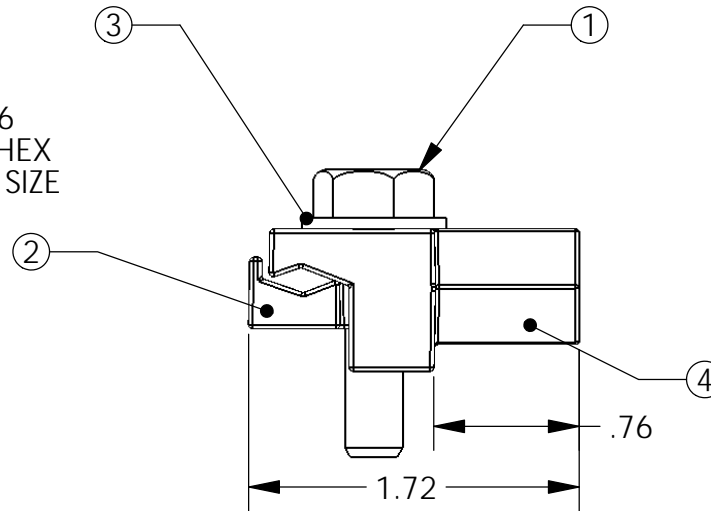


PAPER SIZE		DRAWING NUMBER	
A		GD-BVC-207 IT	
ISS	REVISED BY:	REVISION DATE	ECO #
A	JBB	07/19/2012	10667
B	MG	03/01/2013	10823



9/16
BOLT HEX
HEAD SIZE



3/8-16 UNC-2B

ITEM NO.	QTY.	DESCRIPTION
1	1	5/16 BOLT
2	1	BVC-207 JAW (MALE)
3	1	WASHER
4	1	BVC-207 IT BODY (FEMALE)

NOTES:

- ALL DIMENSIONS ARE REFERENCE AND ARE IN INCHES.

UNLESS OTHERWISE SPECIFIED
DIMENSIONS ARE IN:
INCHES

TOLERANCES ARE :

.XXX	----
.XXXX	----
X/XX	----
ANGLES	----



**MACLEAN
POWER
SYSTEMS**

11411 ADDISON STREET
FRANKLIN PARK, IL. 60131

TEL. (847) 455-0014 FAX: (847) 455-0029

DRAWING NUMBER		DO NOT SCALE DRAWING	
GD-BVC-207 IT		CAD GENERATED DRAWING DO NOT MANUALLY UPDATE	
SHEET NAME:	F041791	1 OF 1	
DRAWING DESCRIPTION		DESIGN DATE: 07/19/12	
BVC-207 IT		DRAWN BY:	JBB
		ENGINEER	EMG
		APPROVED	EMG
DWG SCALE: 1:1			

This drawing contains confidential information that is the property of MacLean Power, L.L.C. ("MacLean"). Use of MacLean's confidential information without MacLean's express written consent is strictly prohibited and may expose you to legal liability. If you believe that you received this material in error, please destroy it or return it to "MacLean Power, L.L.C., 11411 Addison Street, Franklin Park, Illinois 60131, USA."